



better together

DOMESTIC/  
RESIDENTIAL



SUBMERSIBLE ELECTRIC PUMPS  
FOR DRAINAGE, DOMESTIC AND  
RESIDENTIAL PLANTS

serie **blue**  
serie **bluePRO**

zenit.com

EN

# serie **blue**

The **blue Series** is intended mainly for domestic and residential installations and provides compact size and outstanding reliability.

Versions are available with two different hydraulics:

**DR blue**, with multi-channel open impeller for clear or slightly soiled wastewaters.

**DG blue**, with vortex impeller and large free passage for pumping wastewaters with heavy soil

**blue Series** pumps are rugged and reliable, suitable for permanent installations yet also, thanks to their convenience and ease of handling, ideal for emergency use for pumping-out flooding premises or for temporary installations for pumping from wells and tanks.



## DG blue



Techno-polymer vortex impeller  
Full free passage

- Sewage
- Soiled wastewaters with solids
- Lifting stations in small civil and residential plants

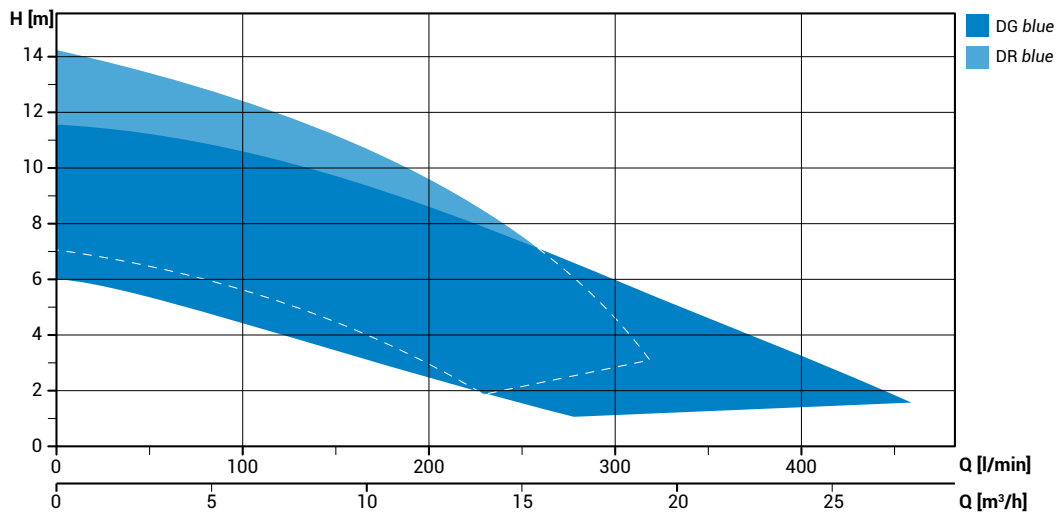


## DR blue



Techno-polymer multi-channel open impeller  
Techno-polymer suction strainer

- Clear or slightly soiled wastewaters
- Strained, seepage and underground pump-out waters
- Irrigation and pumping from wells and reservoirs



## Your guide to *blue*

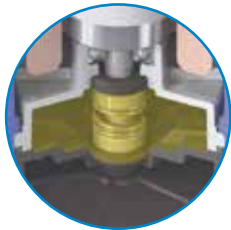
### ADJUSTABLE FLOAT SWITCH

Float switch stroke adjustment system for modification of start-stop levels



### CABLE GLAND

Cable gland system with cable holder system and twin O-rings to ensure maximum tightness  
Simpler extraction for maintenance

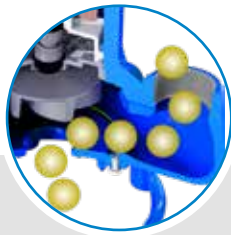


### CAPACITOR

Single-phase models have internal capacitor

### MECHANICAL SEALS

One mechanical seal in silicon carbide (SiC) and one mechanical seal in alumina graphite (AL) in oil chamber



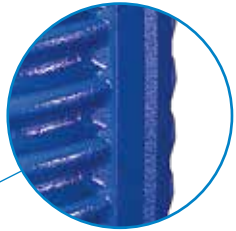
### FREE PASSAGE [DG blue]

Full free passage allowing the expulsion of solids of 40 mm and preventing fouling of the impeller



### HANDLE

Ergonomic handle styled for optimal grip. Shaped to take a shackle to hold the pump steady during handling.



### CASE

EN-GJL-250 cast iron construction guarantees solidity and durability even in case of maintenance



### ANTI-CLOGGING SYSTEM [DR blue]

Stainless steel diffuser plate. Ensures the expulsion of small suspended solids and prevents fouling of the impeller



### STRAINER [DR blue]

Techno-polymer suction strainer



## Technical data

### Range characteristics

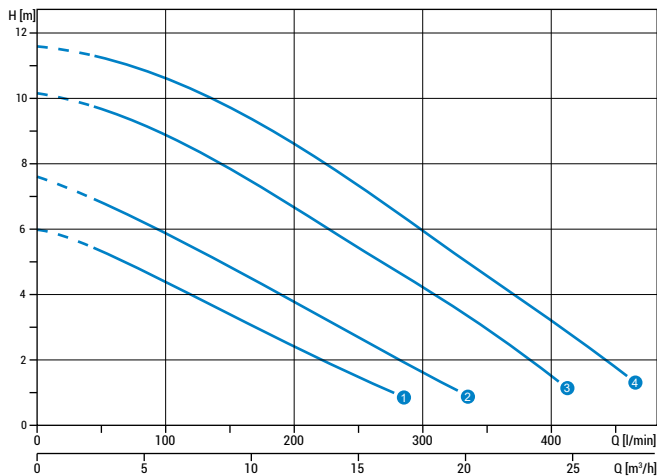
- Single-phase motor from 0.3 to 0.74 kW - 2 poles
- Insulation: class F (155°C)
- Protection rating: IP68
- 50 Hz and 60 Hz versions
- Thermal protection devices incorporated in stator
- Mechanical seals: 1 in silicon carbide (SiC) +1 in alumina graphite (AL)
- Discharge GAS 1¼" - 1½" (vertical)
- Large free passage
- Max operating temperature 40°C
- Maximum immersion depth 20m

### Construction materials

Case	Cast iron EN-GJL-250
Impeller	Techno-polymer
Nuts and bolts	Stainless steel - Class A2-70
Standard gasket	Rubber - NBR
Shaft	Stainless steel - AISI 431
Paint type	Ecological bicomponent epoxy (medium thickness 120 µm)

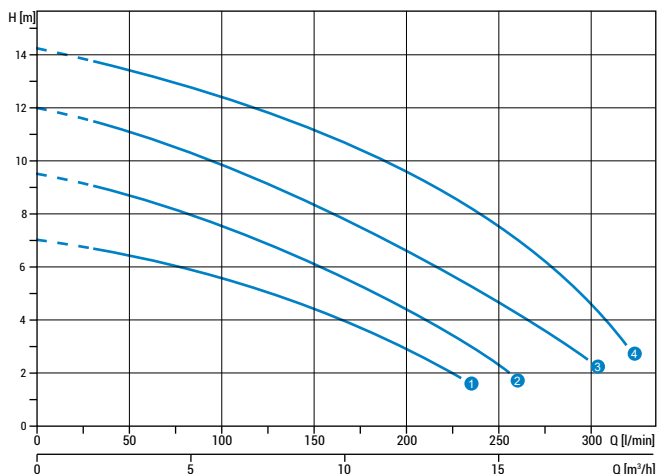


## Performances



### DG blue

	V	P2 [kW]	A	Ø	Free passage [mm]	
1	DG blue 40/2/G40V	230/1	0.3	2.3	GAS 1½"	40
2	DG blue 50/2/G40V	230/1	0.37	2.8	GAS 1½"	40
3	DG blue 75/2/G40V	230/1	0.55	4.1	GAS 1½"	40
4	DG blue 100/2/G40V	230/1	0.74	5.6	GAS 1½"	40



### DR blue

	V	P2 [kW]	A	Ø	Free passage [mm]	
1	DR blue 40/2/G32V	230/1	0.3	2.3	GAS 1¼"	7
2	DR blue 50/2/G32V	230/1	0.37	2.8	GAS 1¼"	7
3	DR blue 75/2/G32V	230/1	0.55	4.1	GAS 1¼"	7
4	DR blue 100/2/G32V	230/1	0.74	5.6	GAS 1¼"	7

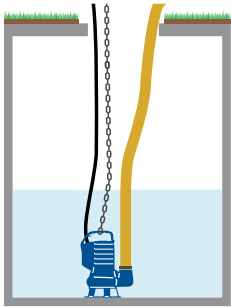




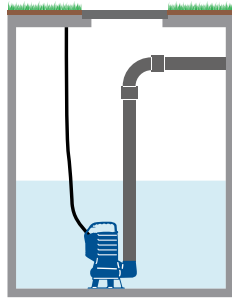
better together

blue series

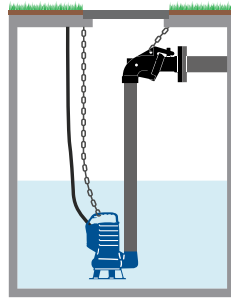
## Installations



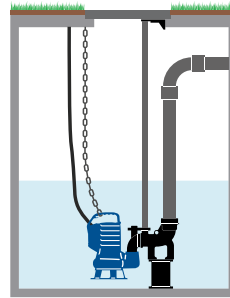
FREE



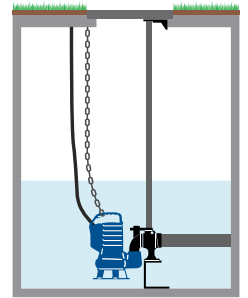
FIXED



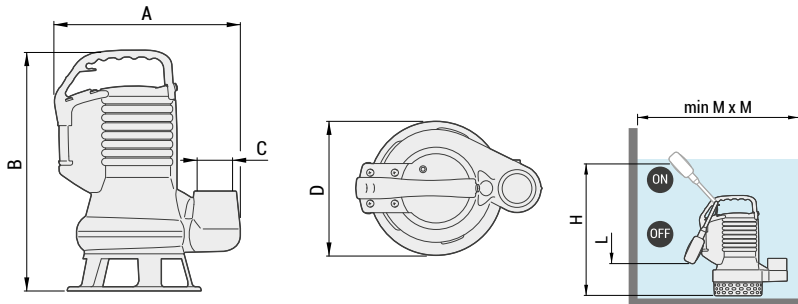
WITH EXTERNAL  
COUPLER



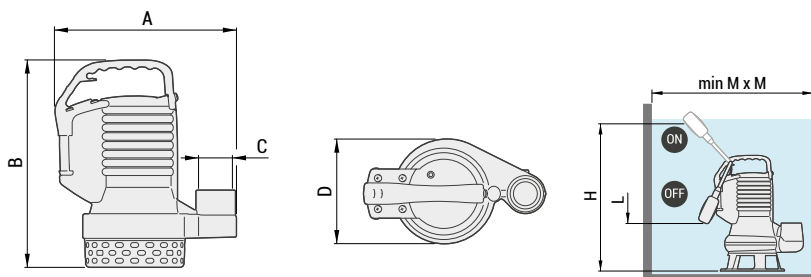
WITH BASE COUPLING FOOT



## Dimensions



	A	B	C	D	kg	H	L	M
DG blue 40/2/G40V	265	335	G 1½"	190	12.5	420	210	300
DG blue 50/2/G40V	265	335	G 1½"	190	13	420	210	300
DG blue 75/2/G40V	265	365	G 1½"	190	15	450	240	300
DG blue 100/2/G40V	265	365	G 1½"	190	15.5	450	240	300



	A	B	C	D	kg	H	L	M
DR blue 40/2/G32V	255	295	G 1¼"	150	11.5	380	170	300
DR blue 50/2/G32V	255	295	G 1¼"	150	12	380	170	300
DR blue 75/2/G32V	255	325	G 1¼"	150	13.5	410	200	300
DR blue 100/2/G32V	255	325	G 1¼"	150	15.5	410	200	300

# serie bluePRO

The **bluePRO Series** is intended for use in applications requiring high performance or prolonged, heavy-duty operation in domestic and residential contexts.

Versions are available with four different hydraulics:

- DR bluePRO** with multi-channel open impeller for clear or slightly soiled wastewaters
- DG bluePRO** with vortex impeller and large free passage for wastewaters with heavy soil
- GR bluePRO** with grinding system
- AP bluePRO** with multi-channel open impeller and high head

The cast iron structure and double mechanical seal in oil chamber make these models rugged and reliable and suitable for even heavy-duty applications lifting strained or soiled wastewater containing solids or filaments, in domestic and residential installations or small civil plants.



## DG bluePRO



Cast iron vortex impeller  
Full free passage

- Sewage
- Soiled wastewaters with solids
- Lifting stations in civil and residential plants

## GR bluePRO



Cast iron multi-channel open impeller  
Grinding system with three-blade rotary knife

- Soiled waters containing fibres and filaments
- Unstrained civil wastewaters
- Lifting stations in civil and residential plants

## DR bluePRO



Cast iron multi-channel open impeller  
Suction strainer

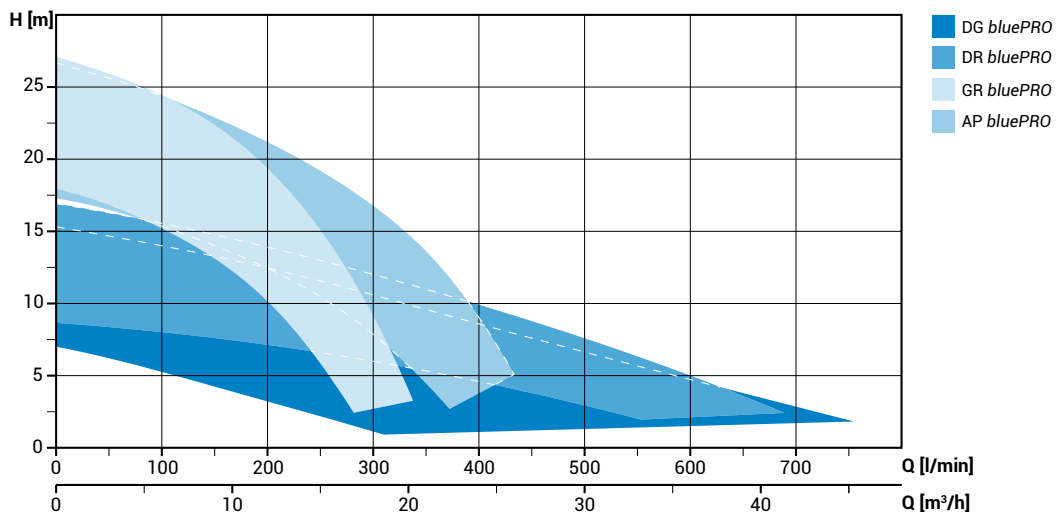
- Clear or slightly soiled wastewaters
- Strained, seepage and underground pump-out waters
- Irrigation and installations requiring high hydraulic performances

## AP bluePRO



Cast iron multi-channel open impeller  
High manometric head

- Mainly clean liquids, or liquids with small solids or sand
- Slightly sandy seepage waters
- Ideal for construction of fountains and water features





better together

# Your guide to *blue*

### ADJUSTABLE FLOAT SWITCH

Float switch stroke adjustment system for modification of start-stop levels



### HANDLE

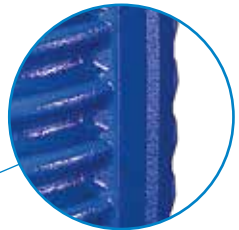
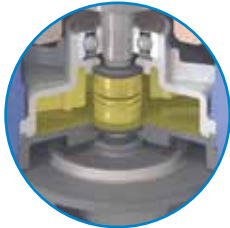
Ergonomic handle styled for optimal grip. Shaped to take a shackle to hold the pump steady during handling.

### CABLE GLAND

Cable gland system with cable holder system and twin O-rings to ensure maximum tightness. Simpler extraction for maintenance

### CAPACITOR/ RELAY

Single-phase models have internal capacitor. Three-phase models are equipped with relay



### CASE

EN-GJL-250 cast iron construction guarantees solidity and durability even in case of maintenance

### MECHANICAL SEALS

Two silicon carbide (2SiC) mechanical seals in oil chamber



### BREATHER [DG bluePRO] [DR bluePRO]

Breather for venting the air accumulated inside the pump after the pit empties, ensuring reliable pump priming even after long periods out of use

### STRAINER [DR bluePRO]

Stainless steel suction strainer and diffuser plate (models 50, 75 and 100). Techno-polymer suction strainer with cast iron diffuser plate and foot (models 150 and 200)



### FREE PASSAGE [DG bluePRO]

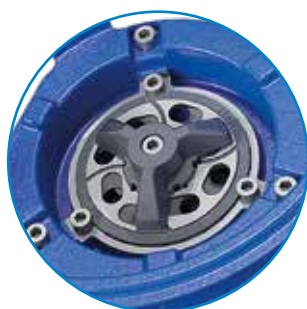
Full free passage allowing the expulsion of solids up to 50 mm and preventing fouling of the impeller



## GR bluePRO grinding system

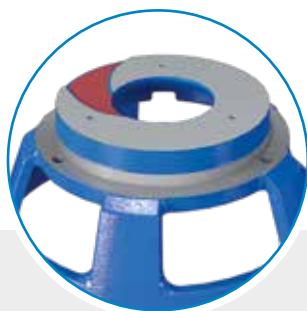
GR bluePRO models incorporate a grinding system comprising a revolving three-bladed knife rigidly mounted on the drive shaft and a steel plate with holes with sharp edges. This system, capable of speeds of up to 69,000 cuts per minute, finely chops filaments and expels them along the discharge pipeline with no risk of impeller jamming, also keeping the pipeline clean.

In single-phase version, the pump comes in an outer case containing a circuit breaker to ensure a high startup torque and effective cutting even during restarts. It also contains an overload protection device which not only provides integral thermal protection for the stator but also offers additional safeguards for the motor when handling heavily soiled liquids.



### CHOPPER KNIFE [GR bluePRO]

Rugged three-bladed chromium steel chopper knife specially treated for added hardness and reliability when cutting solid bodies.



### ANTI-CLOGGING SYSTEM [GR bluePRO]

The special design of the hydraulic part aids the expulsion of suspended solids and prevents fouling of the impeller.

Read the QR-code and watch the cutting test!



## Technical data

### Range characteristics

- Power motor from 0.37 to 1.5 kW (single-phase and three-phase)
- Insulation: class F (155°C)
- Protection rating: IP68
- 50 Hz and 60 Hz versions
- Thermal protection devices incorporated in stator
- Two silicon carbide (2SiC) mechanical seals
- Discharge GAS 1 ¼" - 2" (vertical) - GAS 1 ½" - DN32 (horizontal)
- Large free passage
- Max operating temperature 40°C
- Maximum immersion depth 20m

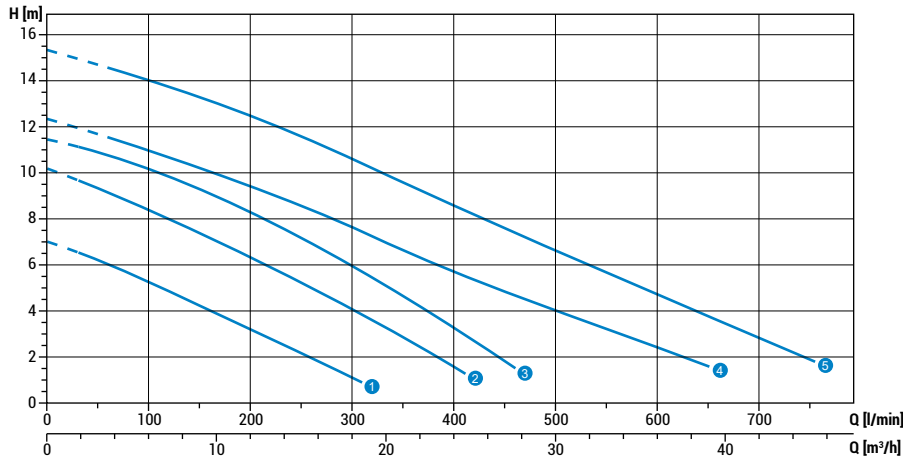
### Construction materials

Case	Cast iron EN-GJL-250
Impeller	Cast iron EN-GJL-250
Nuts and bolts	Stainless steel - Class A2-70
Standard gasket	Rubber - NBR
Shaft	Stainless steel - AISI 431
Chopper knife	Chromium steel (GR bluePRO only)
Paint type	Ecological bicomponent epoxy (medium thickness 120 µm)





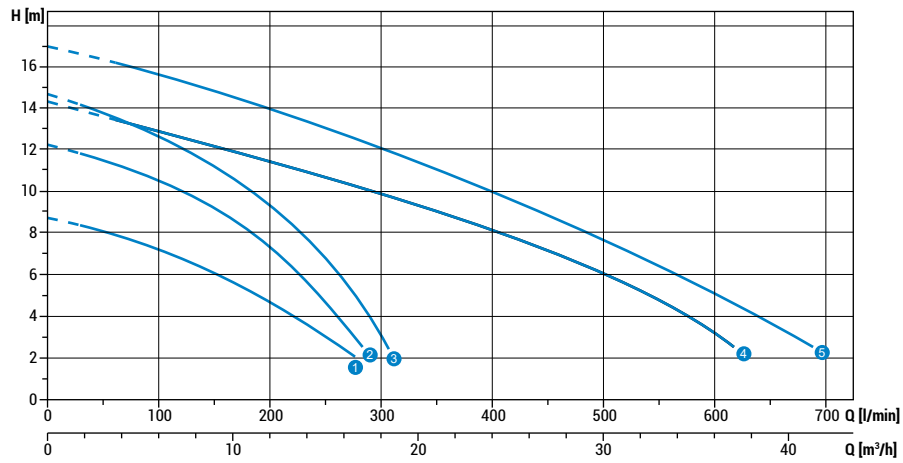
# Performances



## DG bluePRO



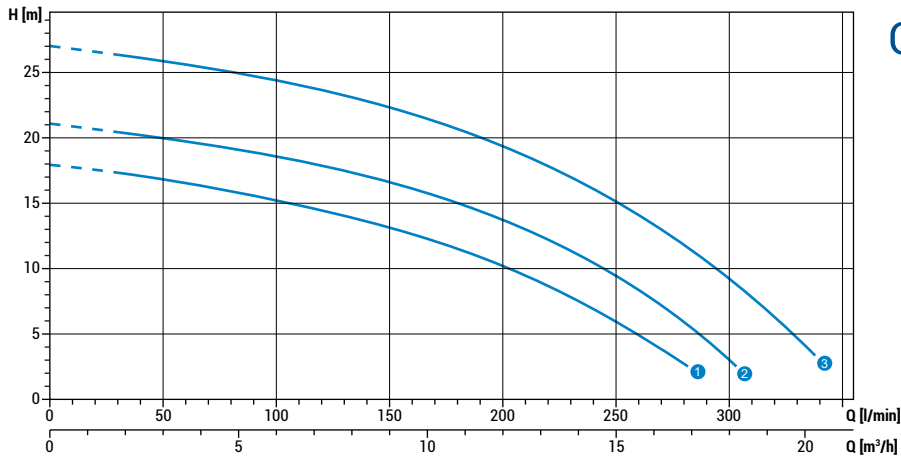
		~1		~3		P2 [kW]	Rpm	Ø	Free passage [mm]
		V	A	V	A				
1	DG bluePRO 50/2/G40V	230	2.8	400	1.15	0.37	2900	GAS 1½"	40
2	DG bluePRO 75/2/G40V	230	4.1	400	1.6	0.55	2900	GAS 1½"	40
3	DG bluePRO 100/2/G40V	230	5.6	400	2.15	0.74	2900	GAS 1½"	40
4	DG bluePRO 150/2/G50V	230	7.5	400	3.2	1.1	2900	GAS 2"	50
5	DG bluePRO 200/2/G50V	230	10.0	400	4.3	1.5	2900	GAS 2"	50



## DR bluePRO



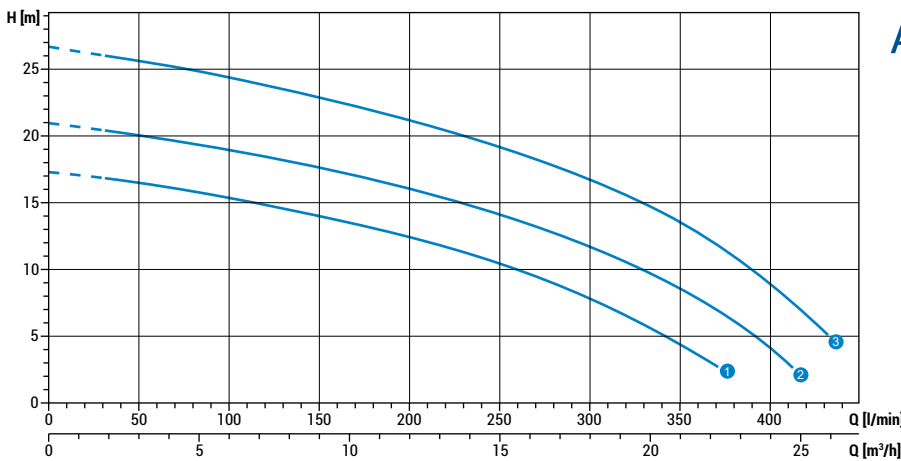
		~1		~3		P2 [kW]	Rpm	Ø	Free passage [mm]
		V	A	V	A				
1	DR bluePRO 50/2/G32V	230	2.8	400	1.15	0.37	2900	GAS 1¼"	15
2	DR bluePRO 75/2/G32V	230	4.1	400	1.6	0.55	2900	GAS 1¼"	15
3	DR bluePRO 100/2/G32V	230	5.6	400	2.15	0.74	2900	GAS 1¼"	15
4	DR bluePRO 150/2/G50V	230	7.5	400	3.2	1.1	2900	GAS 2"	10x30
5	DR bluePRO 200/2/G50V	230	10.0	400	4.3	1.5	2900	GAS 2"	10x30



## GR bluePRO



	~1		~3		P2 [kW]	Rpm	Ø	Free passage [mm]
	V	A	V	A				
1 GR bluePRO 100/2/G40H	230	5.5	400	2.7	0.74	2900	GAS 1½"- DN32 PN6	-
2 GR bluePRO 150/2/G40H	230	7.5	400	3.2	1.10	2900	GAS 1½"- DN32 PN6	-
3 GR bluePRO 200/2/G40H	230	10	400	4.3	1.50	2900	GAS 1½"- DN32 PN6	-

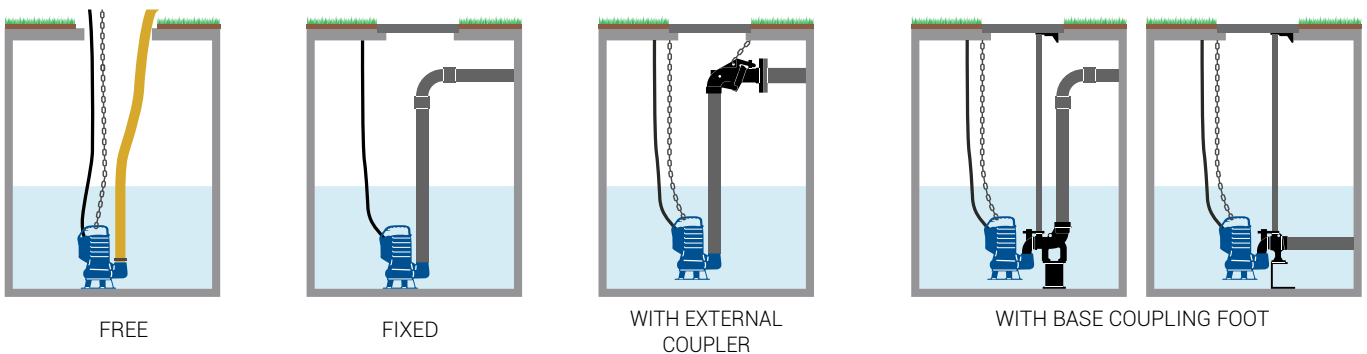


## AP bluePRO

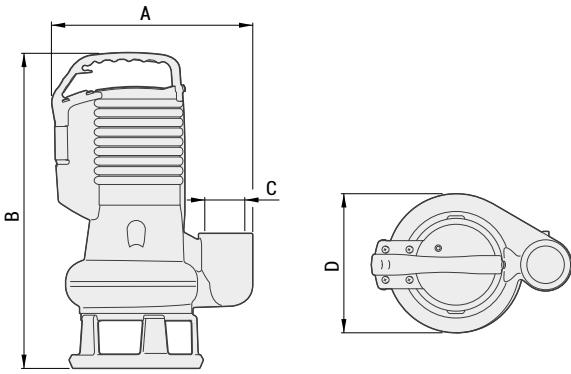


	~1		~3		P2 [kW]	Rpm	Ø	Free passage [mm]
	V	A	V	A				
1 AP bluePRO 100/2/G40H	230	5.5	400	2.7	0.74	2900	GAS 1½"- DN32 PN6	6
2 AP bluePRO 150/2/G40H	230	7.5	400	3.2	1.10	2900	GAS 1½"- DN32 PN6	6
3 AP bluePRO 200/2/G40H	230	10	400	4.3	1.50	2900	GAS 1½"- DN32 PN6	6

## Installations

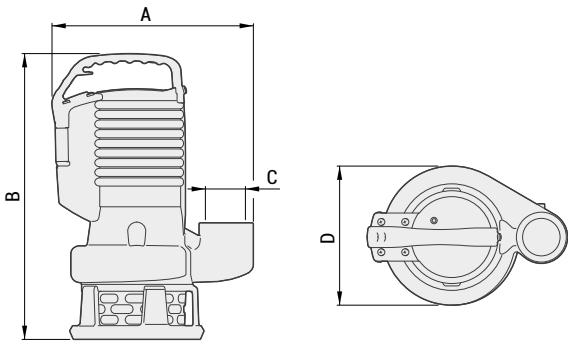
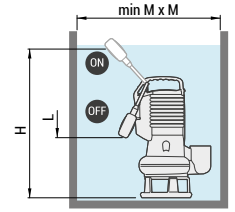


# Dimensions



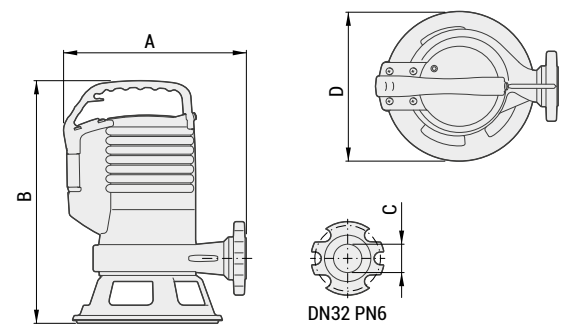
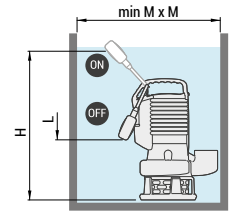
## DG bluePRO

	A	B	C	D	kg	H	L	M
DG bluePRO 50/2/G40V	265	335	G 1½"	190	13	420	210	300
DG bluePRO 75/2/G40V	265	365	G 1½"	190	15	450	240	300
DG bluePRO 100/2/G40V	265	365	G 1½"	190	15.5	450	240	300
DG bluePRO 150/2/G50V	295	465	G 2"	200	23	525	335	400
DG bluePRO 200/2/G50V	295	465	G 2"	200	24	525	335	400



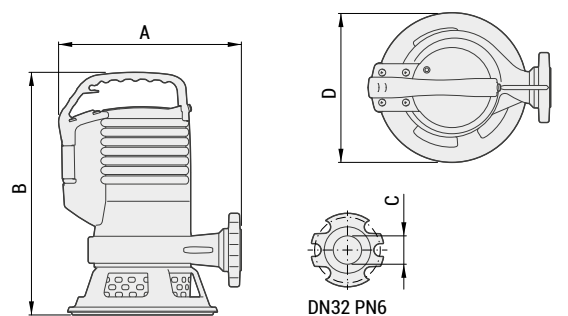
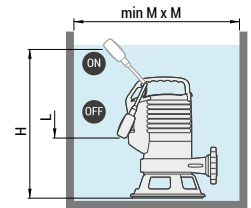
## DR bluePRO

	A	B	C	D	kg	H	L	M
DR bluePRO 50/2/G32V	255	290	G 1¼"	150	12	380	170	300
DR bluePRO 75/2/G32V	255	320	G 1¼"	150	13.5	410	200	300
DR bluePRO 100/2/G32V	255	320	G 1¼"	150	14	410	200	300
DR bluePRO 150/2/G50V	295	420	G 2"	200	23	480	290	400
DR bluePRO 200/2/G50V	295	420	G 2"	200	24	480	290	400



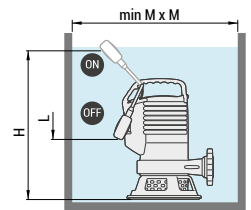
## GR bluePRO

	A	B	C	D	kg	H	L	M
GR bluePRO 100/2/G40H	270	365	G 1½"	220	19	450	240	450
GR bluePRO 150/2/G40H	285	410	G 1½"	230	24	495	285	450
GR bluePRO 200/2/G40H	285	410	G 1½"	230	26	495	285	450



## AP bluePRO

	A	B	C	D	kg	H	L	M
AP bluePRO 100/2/G40H	270	365	G 1½"	220	19	450	240	450
AP bluePRO 150/2/G40H	285	410	G 1½"	230	24	495	285	450
AP bluePRO 200/2/G40H	285	410	G 1½"	230	26	495	285	450







better together

The digital version of this catalogue is available for download at: [www.zenit.com](http://www.zenit.com)

The data provided are not binding.  
Zenit reserves the right to modify the product without advance notification.



For further information, visit [www.zenit.com](http://www.zenit.com)

Cod. 29040060510400000  
Rev. 0 - 01/04/2022